



**Better**  
Kitchens

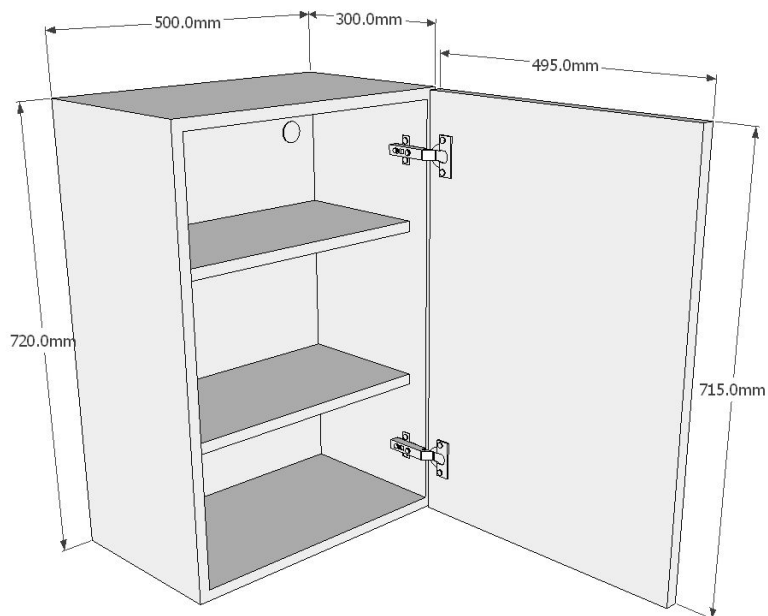
# Smart Manual

Customer: **Mike Ormston**

Order Number: **WKIT-SO193338**

[www.betterkitchens.co.uk](http://www.betterkitchens.co.uk) | 01934  
813201

# 500mm Single Wall Unit (Medium)



## Information

Medium height Wall unit supplied with a 496 x 715mm in your chosen style and colour. Soft Close Hinges and Wall hanging brackets included.

## Cabinet Specification

18mm thick colour matched cabinet (where possible).

9mm Back Panel.

18mm Service Void.

Wall Hanging Brackets.

Soft Close Hinges.

## Fitting Instructions

Fix the wall hanging brackets at the required position, checking for hidden cables first. Hang the cabinet on the brackets and level the unit as required before securing it to the wall. Fix to any adjacent units using the Cabinet Connectors.

## Special Notes

None.