

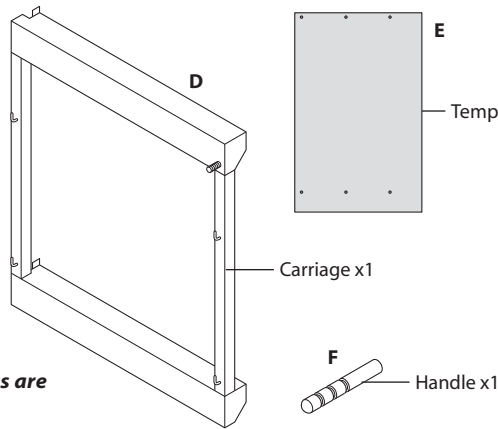
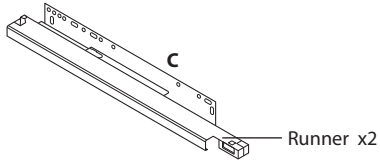


BASE PULL-OUT PLUS - 300/400mm RH

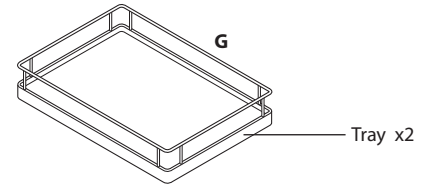
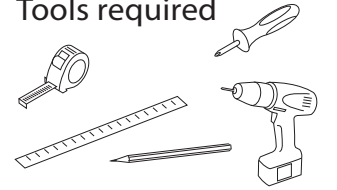
Assembly and fitting instructions

! **IMPORTANT** - The unit has a maximum loading limit of 20kg. Load should be evenly distributed across both trays. All fixings supplied must be used for installation. Illustrations show right handed version.

- Parts**
- A**  x6 3.5 x 16mm countersunk screw
 - B**  x2 M4 x 8mm countersunk screw

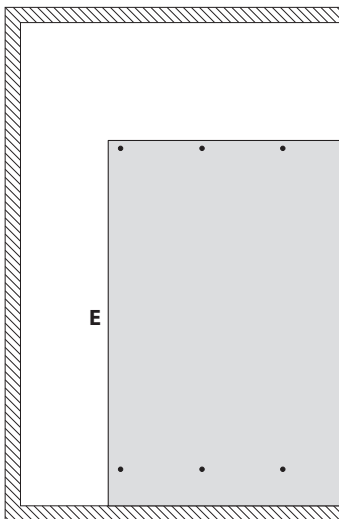


Tools required

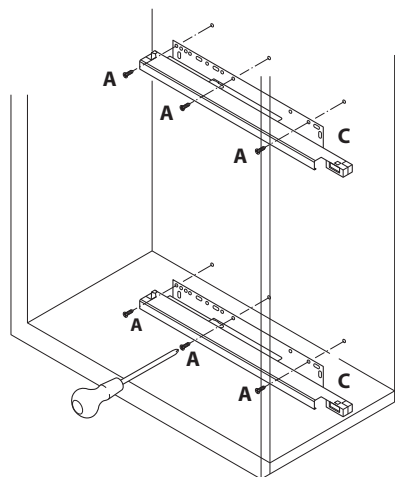


! Please ensure that all the above fittings are present before installation begins.

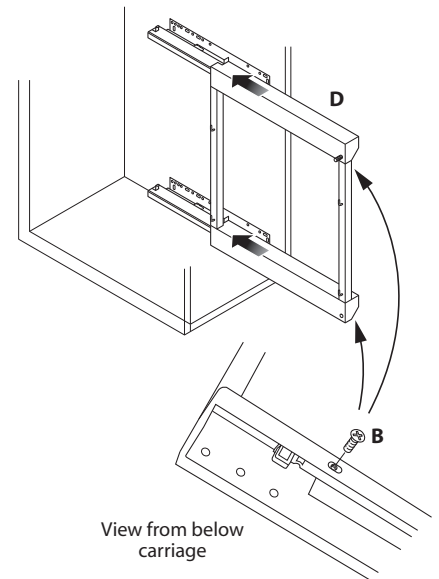
- 1** Mark screw positions for runners on right hand side of cabinet.



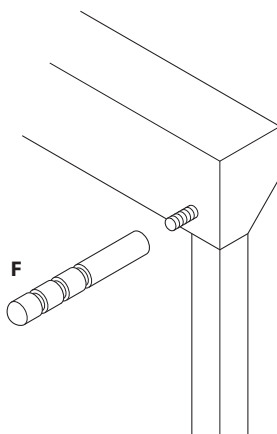
- 2** Secure runners to cabinet side.



- 3** Slide carriage onto runners ensuring the carriage sits under the back retaining lugs. Fully extend carriage and secure to top and bottom runners with screws.



- 4** Fit the opening handle to the carriage.



- 5** Fit the trays.

20 kg



IMPORTANT - The unit has a maximum loading limit of 20kg.

