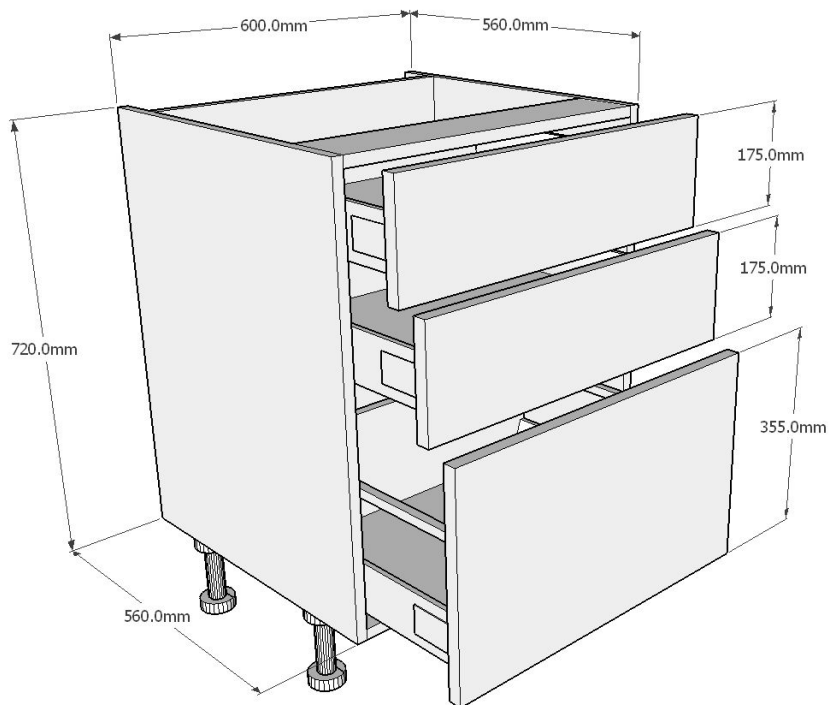


# 600mm 2 Standard & 1 Pan Drawer Base Unit



## Information

Three drawer base unit supplied with one 355 x 596mm and two 175 x 595mm drawer fronts. Legs and soft close drawer fittings included.

## Cabinet Specification

- 18mm thick colour matched cabinet (where possible).
- 47mm Service Void.
- 150mm Plastic Legs (adjustable from 140-160mm).
- Soft Close drawer fittings.

## Fitting Instructions

Insert the 150mm Leg piece (found in plastic fittings bag supplied) into each of the sockets on the base of the cabinet. Level the unit as required and securely fix any adjacent units using the Cabinet Connectors and to the wall using the supplied 'L' Brackets and appropriate screws (not supplied).

## Special Notes

None